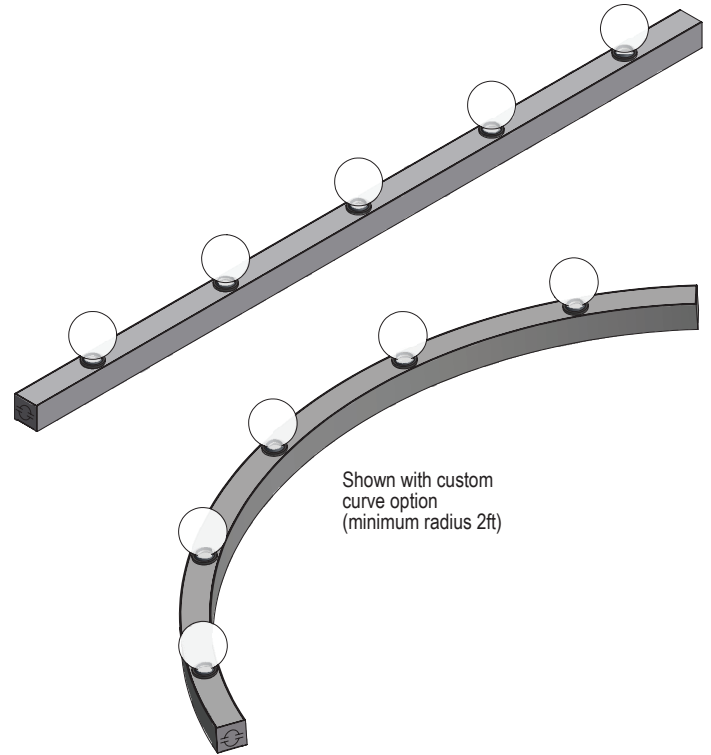
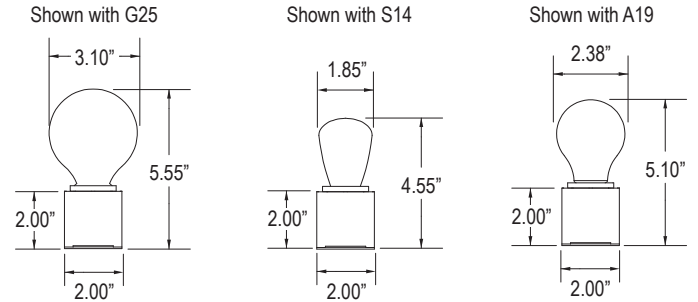


### AQUARIUS MB-Q Series Medium Base Striplight for Marquee

- Surface-mounted striplight ideal for outdoor marquee and linear lighting
- For use with medium base G, S or A style incandescent lamps up to 60W each. Lamps not included.
- Constructed of heavy-gauge extruded aluminum with 120V medium base lampholders
- Available in 6" or 12" lamp spacing (Consult factory for custom spacing)
- Wiring and components are concealed inside housing for a sleek, finished look
- Available in a variety of finishes to protect fixture against corrosion
- Custom color-matching powder coat finish also available
- Custom curving to radius available
- Chase wiring available
- Dimmable with standard line voltage incandescent dimmers
- Fixture lengths can be specified to 1/8 inch
- Maximum length of single fixture section is 10ft
- Fixtures may ship in sections less than 10ft in order to minimize freight, unless specified otherwise
- Multiple fixture sections can be mounted end-to-end in continuous row
- Fixtures are pre-wired for quick and easy installation
- End caps include 7/8" diameter knockouts; conduit holes may also be opened on sides or bottom of fixture using drill bit
- ETL Listed for Dry, Damp and Wet location



### Recommended Lamps



Only use medium base (E26) incandescent lamps up to 60W each. Must be G, S or A style lamps. Consult lamp manufacturers for details. Lamps not included with fixture.

### How to Specify AQUARIUS MB-Q Series

<b>AQR - MB - Q -</b>	<input type="text"/>	-	<input type="text"/>	-	<input type="text"/>	-	<input type="text"/>	-	<input type="text"/>	-	<input type="text"/>
	<b>Lamp Spacing</b>		<b>Circuit</b>		<b>Finish</b>		<b>Location</b>		<b>Options</b>		
	6	6" on center	SC	Single circuit	SAT	Anodized satin	W	Wet location	RCV	Factory curved to radius (see Radius Guide for details)	
	12	12" on center	CH	4 circuit chase	BLK	Black powder coat				Leave blank for no options	
	Consult factory for custom spacing				WHT	White powder coat					
					CPC	Custom powder coat (consult factory)					
<b>Example</b>	<b>6</b>		<b>SC</b>		<b>SAT</b>		<b>W</b>		<b>RCV</b>		

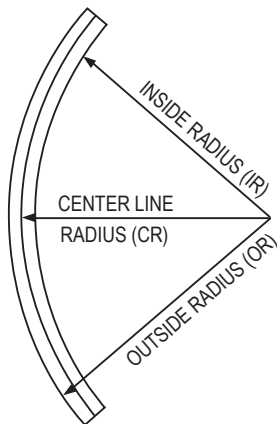
**Radius Guide for AQUARIUS MB-Q Series**

The AQUARIUS MB-Q Series fixture can be ordered with custom curves. Complete the form below to specify exact radius information. Consult factory for assistance.

<b>STEP 1 - FILL IN</b>	PRODUCT CODE				Refer to "How to Specify AQUARIUS MB-Q Series"
<b>STEP 2 - FILL IN</b>	TOTAL LENGTH OF RUN	FEET:	INCHES:		Measure length of entire run with this radius
<b>STEP 3 - FILL IN</b>	RADIUS	FEET:	INCHES:		Verify in field prior to ordering. Minimum radius is 2 feet.
<b>STEP 4 - CIRCLE ONE</b>	MEASURE POINT (See below for details)	IR	CR	OR	IR - Inside Radius CR - Centerline Radius OR - Outside Radius
<b>STEP 5 - CIRCLE ONE</b>	LAMP POSITION (See below for details)	LO	LI	LC	LO - Lamp Outside LI - Lamp Inside LC - Lamp Centered

Production will not begin until receipt of above information with appropriate sign-offs. Contractor is responsible for verifying field measurements. Allow 3 weeks for curving in addition to standard lead times.

**Measure Point**



**Lamp Position**

