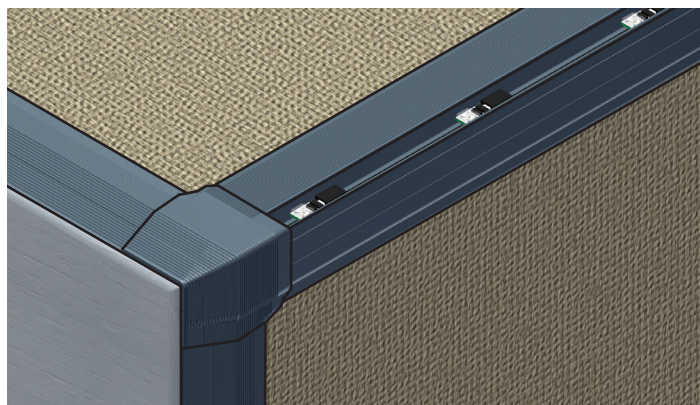
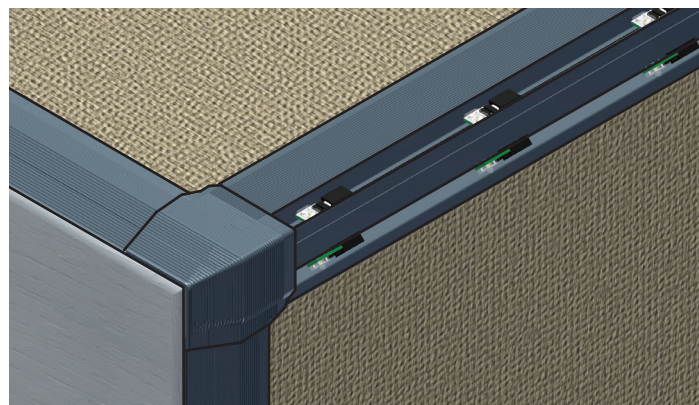


**GEMINI 3000 Step Light – Versatile and Effective**

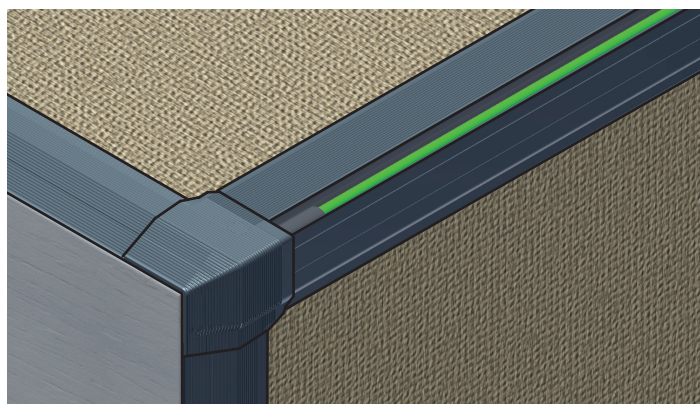
Gemini 3000 is a versatile step light that offers five different light patterns to illuminate stairways and provide a safer auditorium environment. Each of the light patterns creates a distinct look, yet all of them effectively identify the steps for the patron, without any disturbing glare.



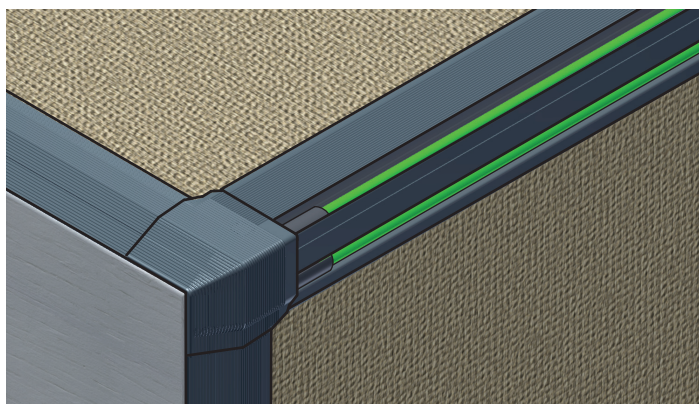
**GEM-3000-MT**  
LED modules on tread.  
Provides simple, economic solution for illuminating step edge.  
Lens includes diffuser that softens light and minimizes glare.



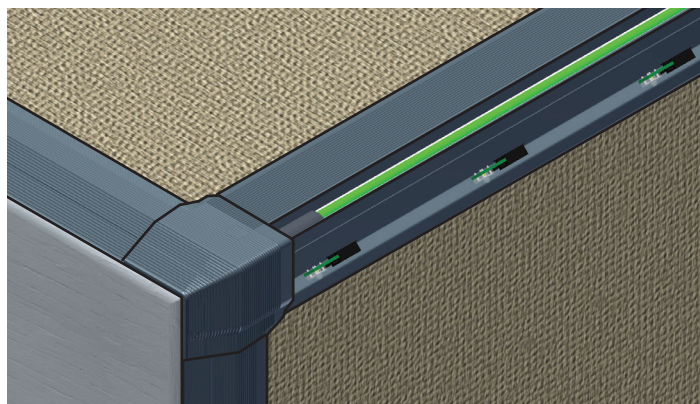
**GEM-3000-MR**  
LED modules on riser, as well as tread.  
Adds broad wash of light onto tread below, providing maximum illumination of stairway. Lens includes shield that cuts off glare.



**GEM-3000-FT**  
Fiber optic cable on tread, illuminated with LED.  
Continuous linear light provides sleek definition of step edge.  
Unique cable design creates consistent illumination for steps up to 5 feet wide.



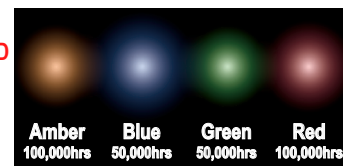
**GEM-3000-FR**  
LED-illuminated fiber optic cable on tread and riser.



**GEM-3000-FM**  
Fiber optic cable on tread and LED modules on riser.  
Provides linear definition of step edge as well as maximum illumination of stairway.

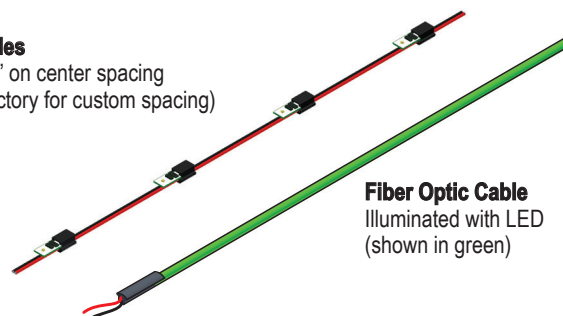
**GEMINI 3000 LEDs**

- Safe – **12V DC power**
- Energy efficient – **Less than 0.3W per LED**
- Rated for long life – **Up to 100,000 hrs**
- Vibration resistant
- Individually replaceable
- Dimmable with most low voltage dimmers



**LED Modules**

Standard 6" on center spacing  
(Consult factory for custom spacing)



**Fiber Optic Cable**  
Illuminated with LED  
(shown in green)

**GEMINI 3000 Step Light – Durable and Safe**

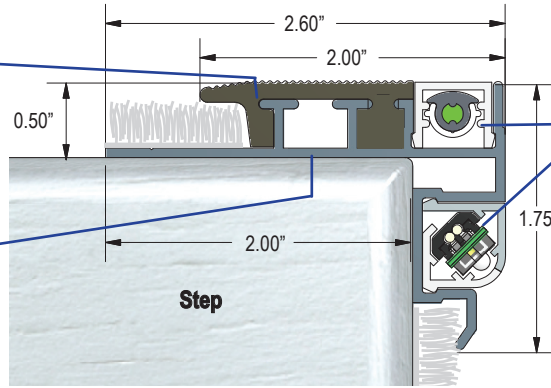
Each component of the Gemini 3000 system has been designed with safety and long-term durability in mind. They are made to withstand spillage, heavy foot traffic and rigorous cleaning. All profiles are ADA compliant, so there are no trip hazards. The LEDs operate on low voltage and are rated for long life. The system is ETL Listed and conforms to UL Standard 2108.

**Rubber Grip**

- Made of durable soft PVC
- Ribs help prevent slipping

**Aluminum Base**

- Ensures long-term structural integrity of steplight
- Anodized finish provides added protection against corrosion



**Lights on Tread / Riser**

- Durable acrylic lenses are rated for high-impact and designed to protect lights from liquid.
- LEDs are vibration resistant, run on 12V DC and last up to 100,000 hours



**Conforms to UL Standard 2108**

**GEMINI 3000 System**

**Wire Harness**

- 18 gauge wires feed power to each steplight

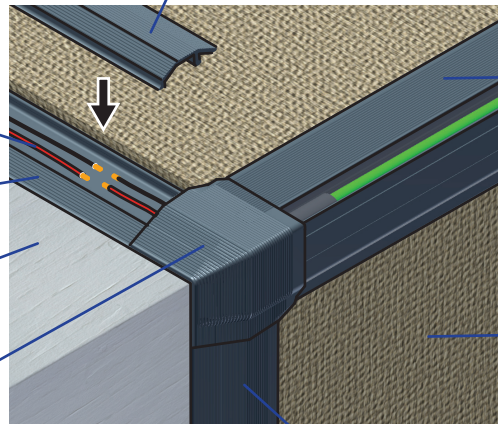
**Raceway Base**

**Bare Floor**

**End cap (left shown)**

- Finishes corner where step light meets raceway, providing seamless appearance with matching ribs and contours
- Mates into steplight and is secured to tread surface, preventing displacement
- Internal cavities allow for clean and easy cable management between step light and raceway
- Made of durable PVC

**Raceway Cover**



**GEMINI 3000 Step Light**

Requires 12VDC transformer  
(See Power Supply specifications)

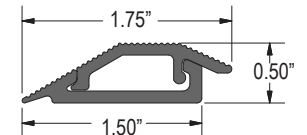
**Raceway**

- Protects wires feeding each step light
- Provides transition from carpeted step to bare floor
- Removable cover enables easy access to wiring
- Made of durable PVC

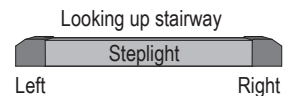
**How to Specify GEMINI 3000 Series (Also see Ordering Guide)**

<b>GEM - 3000 -</b>		-	
	<b>Light Pattern</b>		<b>LED Color</b>
	MT	LED modules on tread only (6" spacing*)	A Amber
	MR	LED modules on tread & riser (6" spacing*)	B Blue
	FT	Illuminated fiber on tread only	G Green
	FR	Illuminated fiber on tread & riser	R Red
	FM	Illuminated fiber on tread & LED modules on riser	
<b>Example</b>	* Consult factory for custom spacings		
<b>GEM - 3000 -</b>	<b>FM</b>	-	<b>B</b>

**Raceway**  
GEM-RW

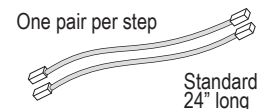


**Left End Cap**  
GEM-LEC



**Right End Cap**  
GEM-REC

**Wire Harness**  
GEM-WH



## Power Supplies

### Ratings

- Input: 120VAC or 277VAC, 50/60 Hz
- Output: 12VDC
- Output current: 5 Amps per output circuit
- Maximum output power: 60W or 240W
- Overload protection: Manual reset circuit breaker
- Enclosure: Indoor / outdoor enclosure with conduit knockouts
- Operating temperature: -30° to 60° Celsius
- Certification: UL Class 2 Power Supply

### Maximum Load

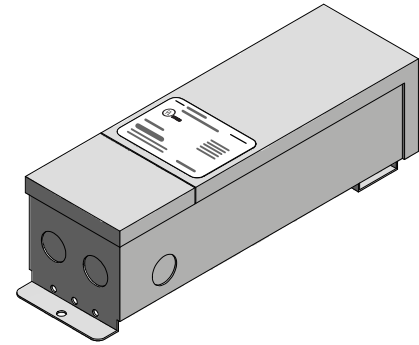
- Maximum 150 LED modules per 5A output circuit
- Do not connect more than 150 LED modules per 5A output

### Dimming

- Compatible with most standard magnetic low voltage dimmers
- Wire dimmer to primary side of power supply
- Requires minimum 50 LED modules per 5A output for effective dimming
- Recommended dimmer: Lutron Nova Series NTLV-600 (120VAC, 600W, single pole)

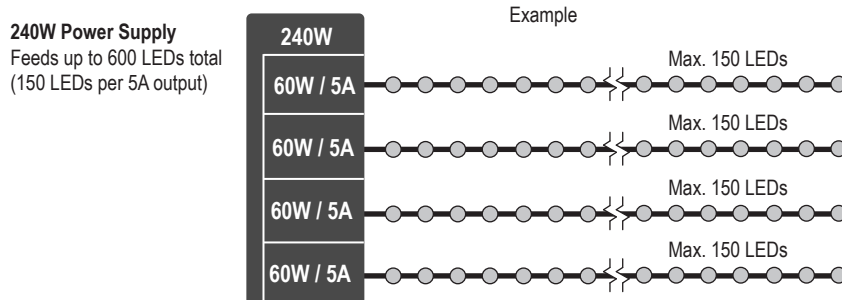
### Ordering Codes

Item Number	Watts	Volts	Outputs	Dimensions	Weight
GPS-120-60	60 W	120VAC to 12VDC	1 X 5A	11.25" H x 3.375" W x 3.25" D	7 lbs
GPS-277-60	60 W	277VAC to 12VDC	1 X 5A	11.25" H x 3.375" W x 3.25" D	7 lbs
GPS-120-240	240 W	120VAC to 12VDC	4 X 5A	14.25" H x 8.750" W x 4.50" D	20 lbs
GPS-277-240	240 W	277VAC to 12VDC	4 X 5A	14.25" H x 8.750" W x 4.50" D	20 lbs



Must be mounted in an accessible location with sufficient ventilation and must not be submerged.

## How to Feed GEMINI 3000 (Maximum 150 LEDs per 60W/5A output)



GEMINI 3000 lightstrip uses 18 gauge red/black cable for 12VDC. (Polarity: Red - positive, Black - negative)