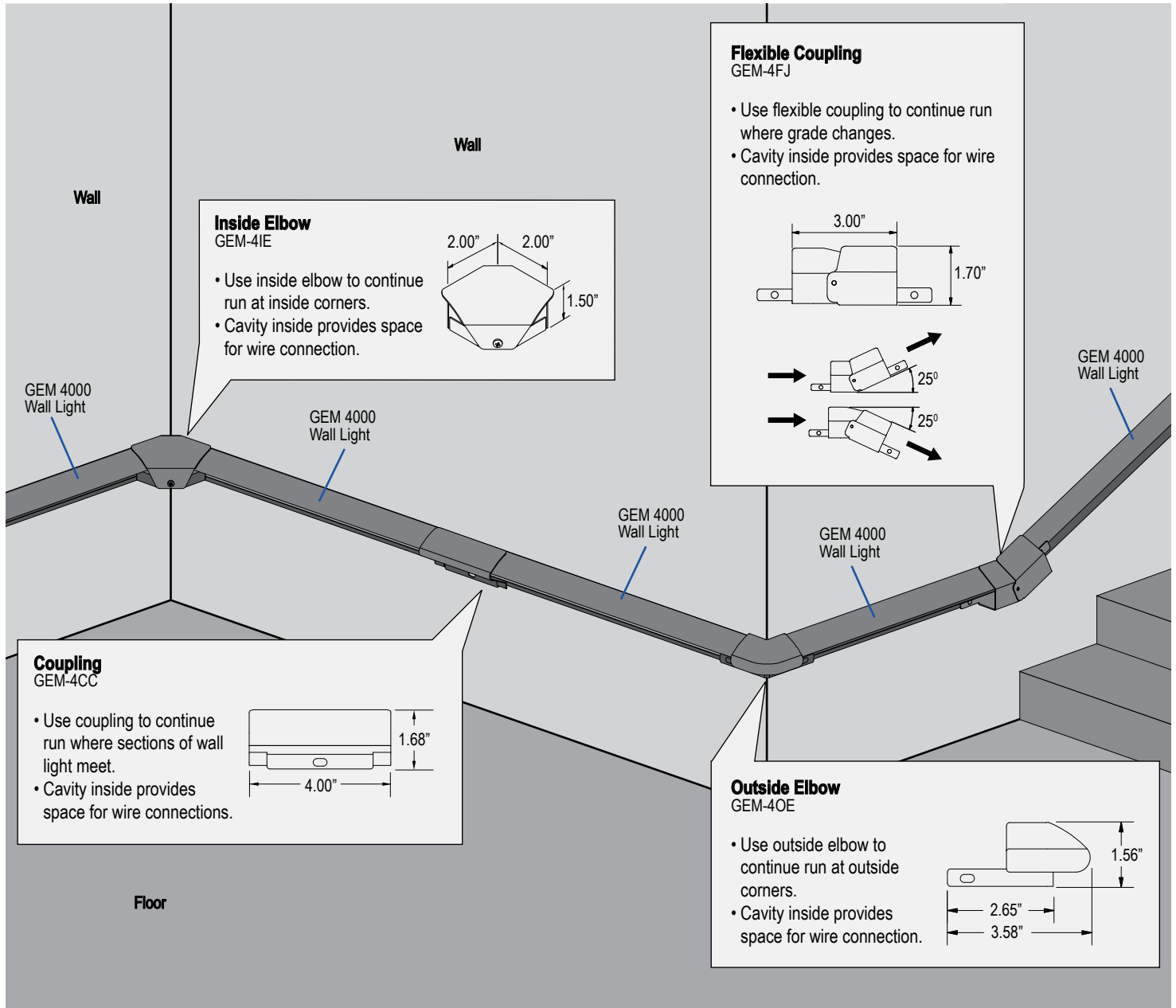


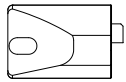
GEM-4000 Wall Mounted Step and Path Light provides illumination along the walls and eliminates the need to install lights on individual steps. Below is a general layout of how the Wall light is used along with its accessories. Fixtures are factory pre-assembled and are shipped in 5 feet (4', 9") and 10 feet (9', 9") standard lengths. Fixture can be field cut to length.



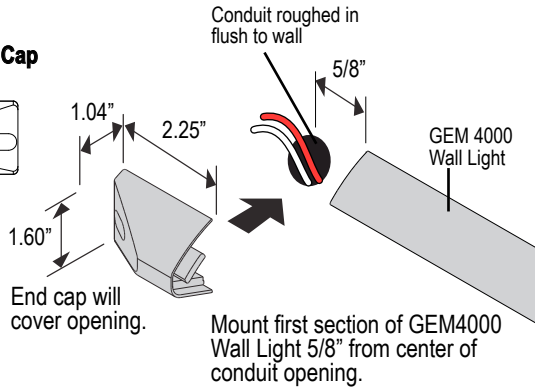
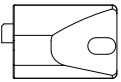
Step 1 Start at the feed in location for the Wall Light. If a conduit can be roughed in flush to wall, use an end cap to start the feed into the Wall light. If a conduit can not be roughed in to the feed point, use a junction box with conduit to run the feed to the start of the wall light. When using the end caps, make sure to use the correct left or right side as the end caps are not interchangeable. When feeding GEM-4000 wall light, make sure not to exceed maximum load per power supply. Refer to maximum run chart on the spec sheet.

End Cap

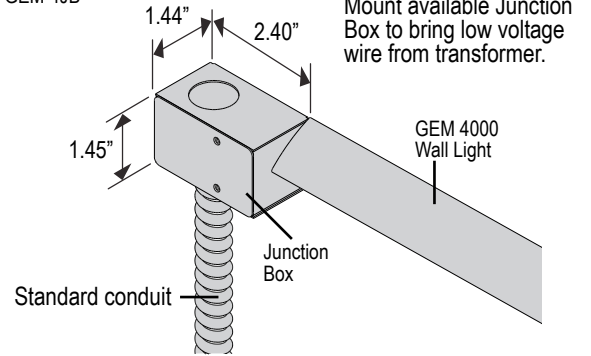
Left End Cap
GEM-4LE



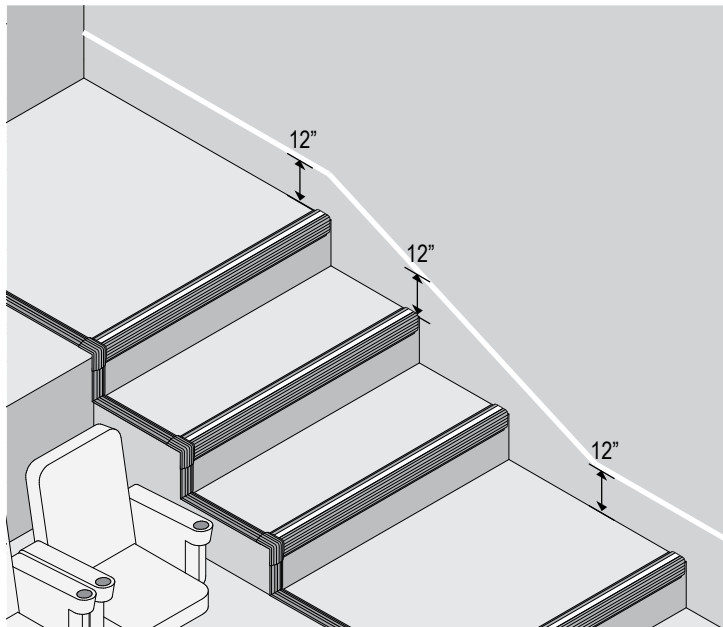
Right End Cap
GEM-4RE



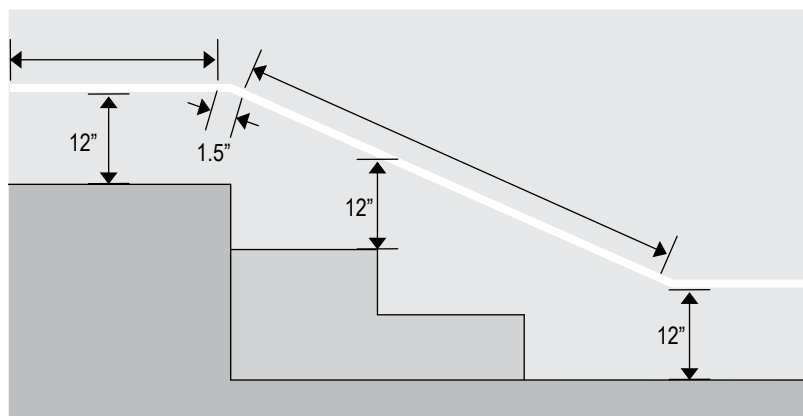
Junction Box
GEM-4JB



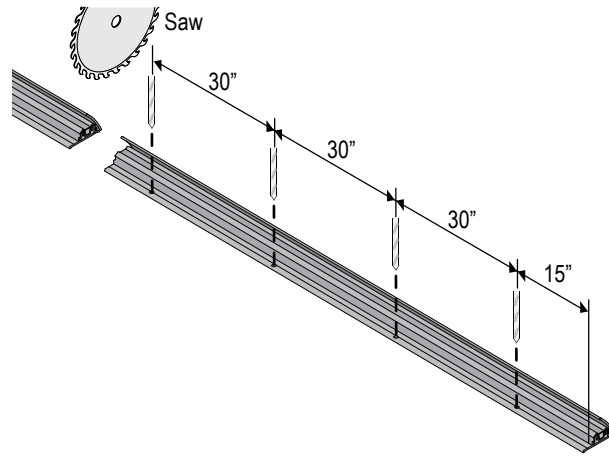
Step 2 Draw a chalk line on the wall 12 inches above the floor where the GEM-4000 Wall Light will be installed. Following the profile for the steps throughout entire run.



Step 3 When matching the elevation of the steps, measure the sections needed leaving a gap of 1.5 inches for change in grade.



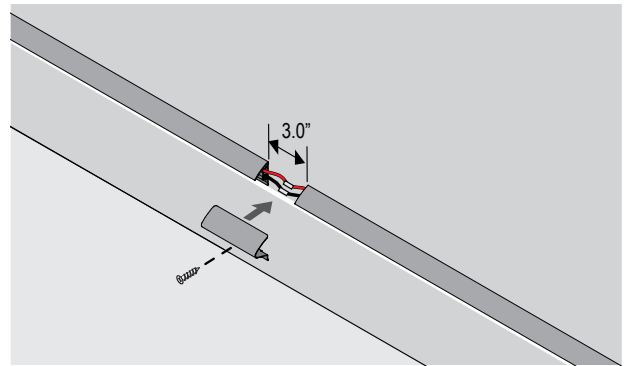
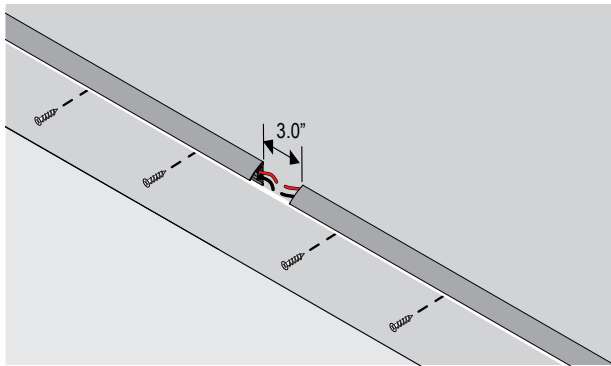
Step 4 Cut GEM-4000 fixture to length based on the sections required.
Pre-drill GEM-4000 aluminum base using 5/32 inch drill bit every 30 inches. First hole to be 15 inches from the edge of the aluminum base.



Step 5 Mount GEM-4000 Wall Light against wall above chalk line and use tapcon screws provided to secure to wall. Use anchors if installing only against dry wall and not behind studs. See below mounting methods and spacing to provide when used in the following applications with accessories

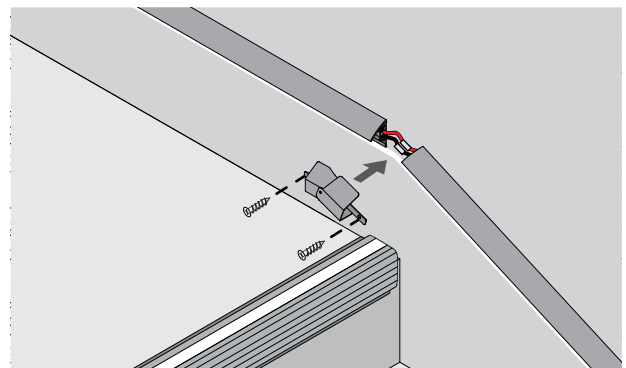
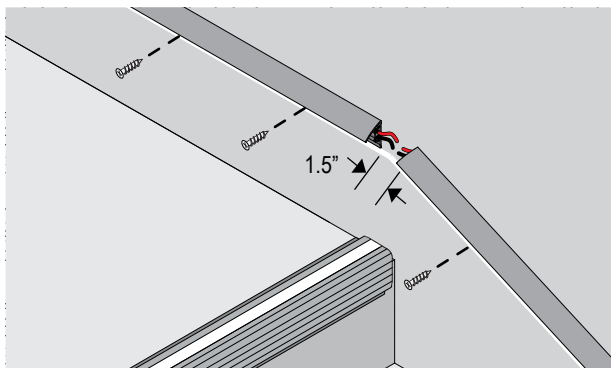
Walls Light in straight run applications

Leave a gap of 3.0 inches between the two wall light sections when securing to wall for straight runs. Connect the wiring between the two sections and use the coupling cover to conceal the wiring and gap. Secure coupling cover to GEM-4000 Wall Light using tapcon screw provided.



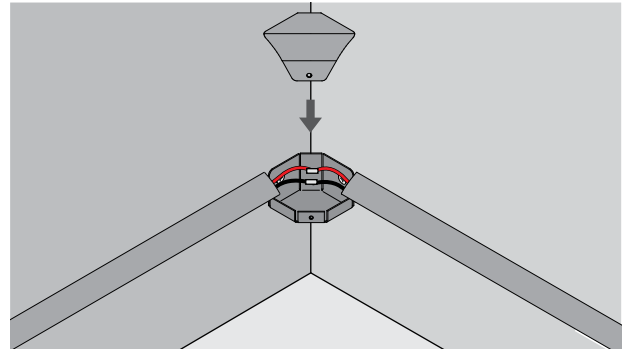
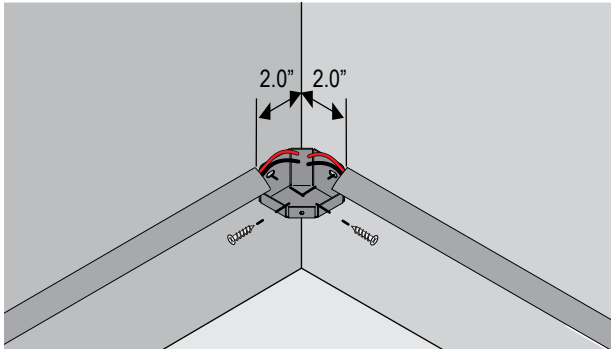
Walls Light that changes in grade

Leave a gap of 1.5 inches between the two wall light sections when securing to wall. Connect the wiring between the two sections and use the flexible coupling to conceal the wiring and gap. Secure flexible coupling to GEM-4000 Wall Light using tapcon screw provided.



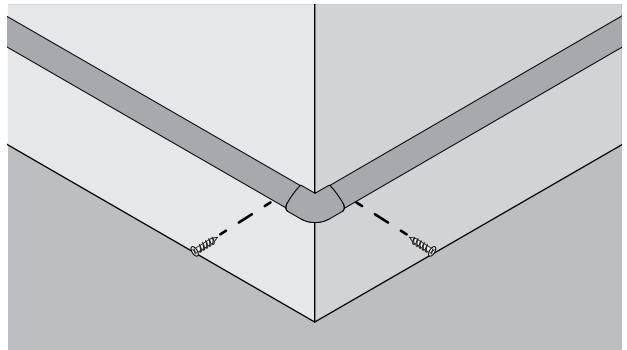
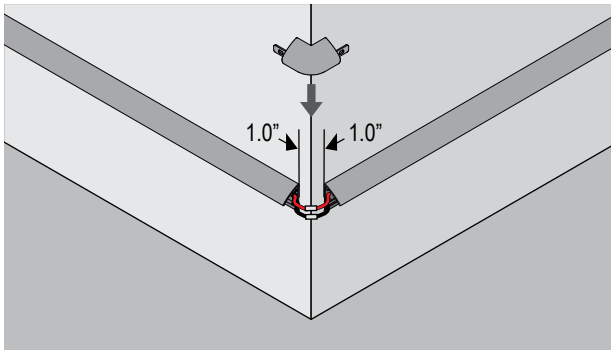
Walls Light around inside corners

Leave a gap of 2.0 inches from each side of the wall in order to install the inside elbow base. Secure to wall using the two tapcon screws provided. Make wiring inside from one end of the GEM-4000 to another and secure the cover onto the base. Secure with screw.



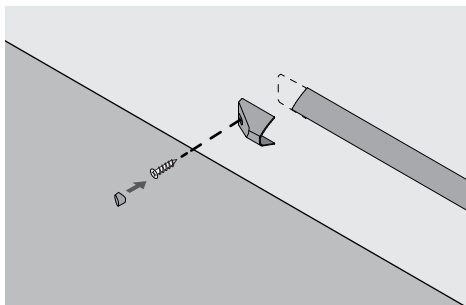
Walls Light around outside corners

Leave a gap of 1.0 inches from each side of the wall in order to install the outside elbow. Make wiring inside from one end of the GEM-4000 to another. Secure to wall using the two tapcon screws provided on each side of the wall.



Step 6 Install end caps on the exposed ends of the Wall Lighting. End caps are not interchangeable and must be installed onto the correct side. Secure to wall using tapcon screws provided then install plastic button to conceal screw.

Left end cap



Right end cap

