

GEMINI 4000 Wall Light

Features

- Cost effective solution for illuminating auditorium stairways along walls
- Eliminates need to install lights on each individual step
- Also ideal for pathways and corridors
- Effectively illuminates steps and paths up to 5 feet wide
- Light levels satisfy requirements set forth in Life Safety Code of National Fire Protection Agency (NFPA)
- ETL Listed as low voltage lighting system; conforms to UL Standard 2108
- Standard 2 year warranty; extended warranty available with approved installers

LED Light Source

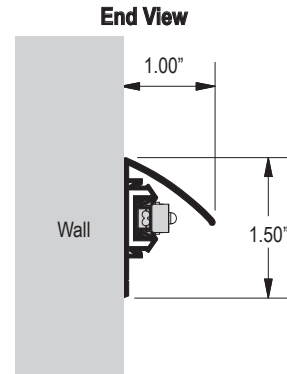
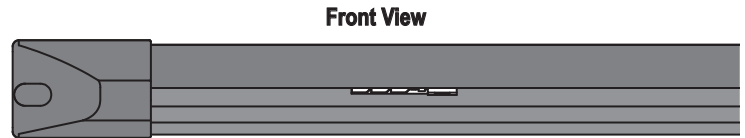
- High output LED modules spaced 12 inch on center (Consult factory for other spacings)
- Standard modules:
 - Amber/Amber/Amber 3-LED module offers cost-effective option
 - Red/Red/Red 3-LED module offers cost-effective option
 - White/White/White 3-LED module provides maximum light output
 - Amber/White/Amber 3-LED module creates warm white illumination
 - Red/Green/Blue 3-LED module highlights color elements in carpet pattern
- Consult factory for other color combinations.
- Modules consume only 0.3W each and run on safe 12V DC power
- Rated for up to 100,000 hours and individually replaceable
- Dimmable with most standard low voltage magnetic dimmers (see Power Supplies)

Fixture Design

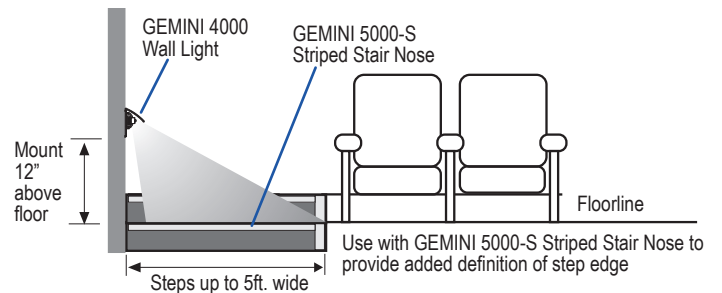
- Low profile is ADA compliant and provides unobtrusive illumination
- Lens-less design allows unhindered projection of light, maximizing output
- Angled shield conceals LED light source, eliminating glare
- Aluminum housing ensures structural integrity of fixture against uneven wall surfaces
- Black anodized finish provides added protection against corrosion (Consult factory for other finishes)
- Molded PVC end caps match fixture contours for finished look
- Elbows available for inside and outside corners
- Flexible coupling available for transitions in grade

Installation

- Fixtures are factory pre-assembled and can be mounted directly to wall for quick and easy installation
- Ships in standard 5 ft or 10 ft sections; can be cut to length
- Mount 12 inches above floor for optimum illumination
- Built-in connectors at fixture ends simplify wiring for end-to-end continuous rows
- Maximum 150 LED modules per 5A output of power supply (150ft at 12" spacing)
- End caps also serve to cover conduit opening in wall and allow low voltage wire to feed into fixture
- Junction box also available, where conduit or wall box has not been roughed in
- Requires 12VDC transformer (See Power Supply specifications)
- Use in conjunction with GEMINI 5000-S Striped Stair Nose to provide added definition of step edge



Application Guide



Footcandle Measurements

Top View of Floor

GEMINI 4000 Wall Light
LED Modules 12" spacing (Amber / White / Amber)

Distance from wall	1ft.	2ft.	3ft.	4ft.	5ft.
12"	0.75	2.19	1.98	1.44	0.87
12"	0.77	2.57	2.28	1.63	0.96
12"	0.67	2.28	2.29	1.62	0.99
12"	0.66	2.03	2.01	1.51	0.95
12"	0.54	1.61	1.65	1.27	0.84

How to Specify GEMINI 4000 Series

GEM - 4000 -

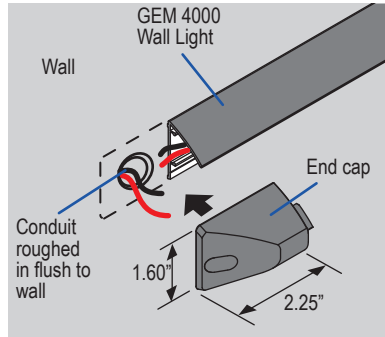
LED Module		Spacing		Fixture Length	
AAA	Amber / Amber / Amber (100,000 hrs. rated life)	12	12" on center	5	5 ft.
RRR	Red / Red / Red (100,000 hrs. rated life)			10	10 ft.
WWW	White / White / White (30,000 hrs. rated life)				
AWA	Amber / White / Amber (50,000 hrs. rated life)				
RGB	Red / Green / Blue (50,000 hrs. rated life)				
Consult factory for other color combinations. Minimum quantities may apply.		Consult factory for other spacings.		10ft. sections may incur higher freight charges	
AWA		12		10	

Example

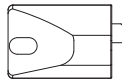
GEM - 4000 -

GEMINI 4000 Wall Light Accessories

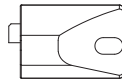
End Cap



Left End Cap
GEM-4LE

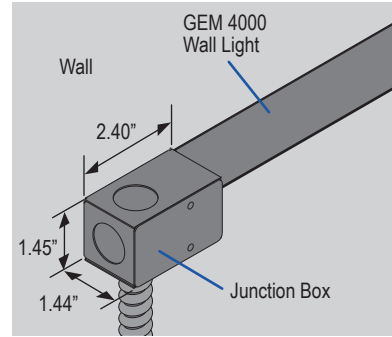


Right End Cap
GEM-4RE



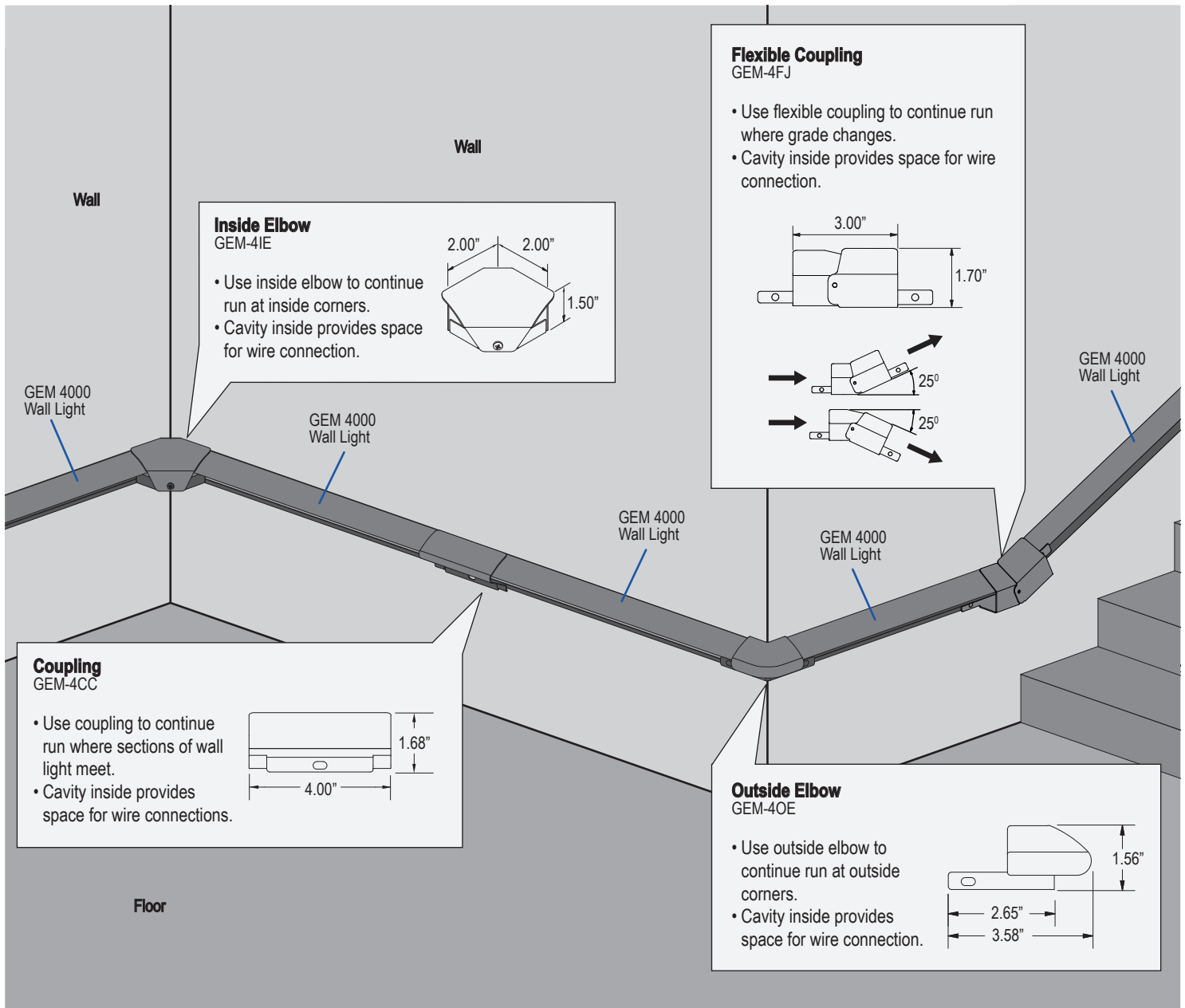
- Use end cap to finish beginning and end of run.
- End cap can also cover conduit opening in wall and conceal low voltage wire connection into wall light.

Junction Box



Junction Box
GEM-4JB

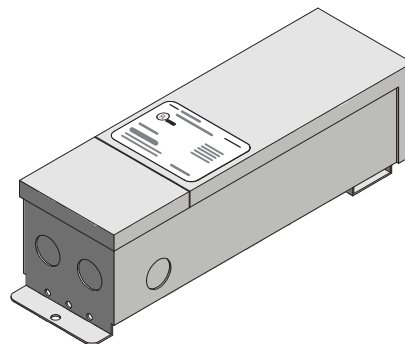
- Use junction box at feed point if conduit has not been roughed into wall.
- Provides opening on one side to feed low voltage wires into wall light.
- Knockouts on 3 sides accept standard 3/8" or 1/2" trade size conduit.



Power Supplies

Ratings

- Input: 120VAC or 277VAC, 50/60 Hz
- Output: 12VDC
- Output current: 5 Amps per output circuit
- Maximum output power: 60W or 240W
- Overload protection: Manual reset circuit breaker
- Enclosure: Indoor / outdoor enclosure with conduit knockouts
- Operating temperature: -30° to 60° Celsius
- Certification: UL Class 2 Power Supply



Maximum Load

- Maximum 150 LED modules per 5A output circuit
- Do not connect more than 150 LED modules per 5A output

Dimming

- Compatible with most standard magnetic low voltage dimmers
- Wire dimmer to primary side of power supply
- Requires minimum 50 LED modules per 5A output for effective dimming
- Recommended dimmer: Lutron Nova Series NTLV-600 (120VAC, 600W, single pole)

Must be mounted in an accessible location with sufficient ventilation and must not be submerged.

Ordering Codes

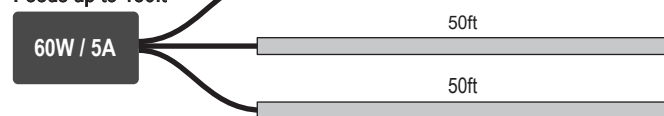
Item Number	Watts	Volts	Outputs	Dimensions	Weight
GPS-120-60	60 W	120VAC to 12VDC	1 X 5A	11.25" H x 3.375" W x 3.25" D	7 lbs
GPS-277-60	60 W	277VAC to 12VDC	1 X 5A	11.25" H x 3.375" W x 3.25" D	7 lbs
GPS-120-240	240 W	120VAC to 12VDC	4 X 5A	14.25" H x 8.750" W x 4.50" D	20 lbs
GPS-277-240	240 W	277VAC to 12VDC	4 X 5A	14.25" H x 8.750" W x 4.50" D	20 lbs

How to Feed GEMINI 4000 (Maximum 150ft per 5A/60W output based on 12" LED spacing)

Example

60W Power Supply

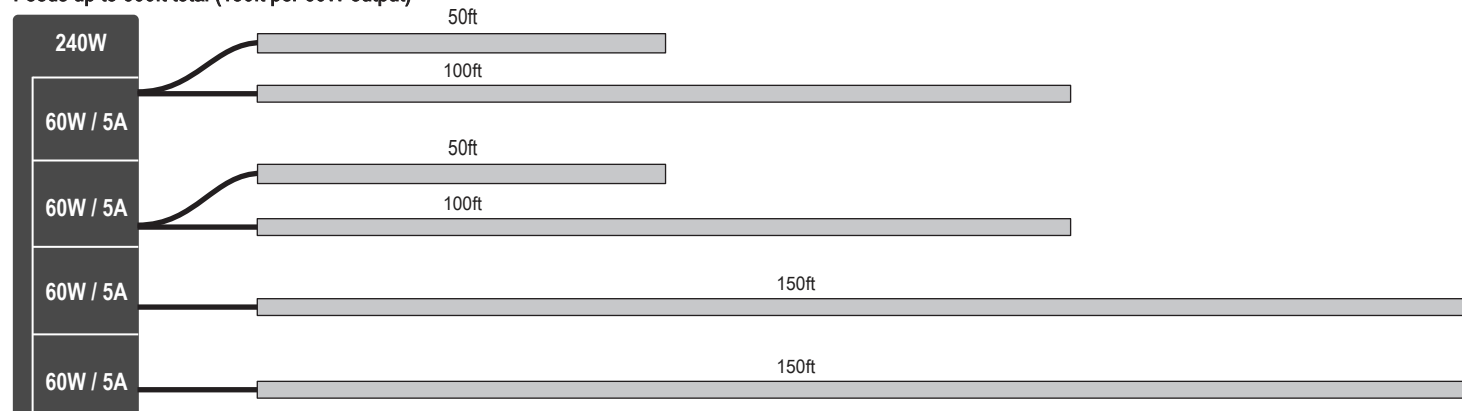
Feeds up to 150ft



240W Power Supply

Feeds up to 600ft total (150ft per 60W output)

Example

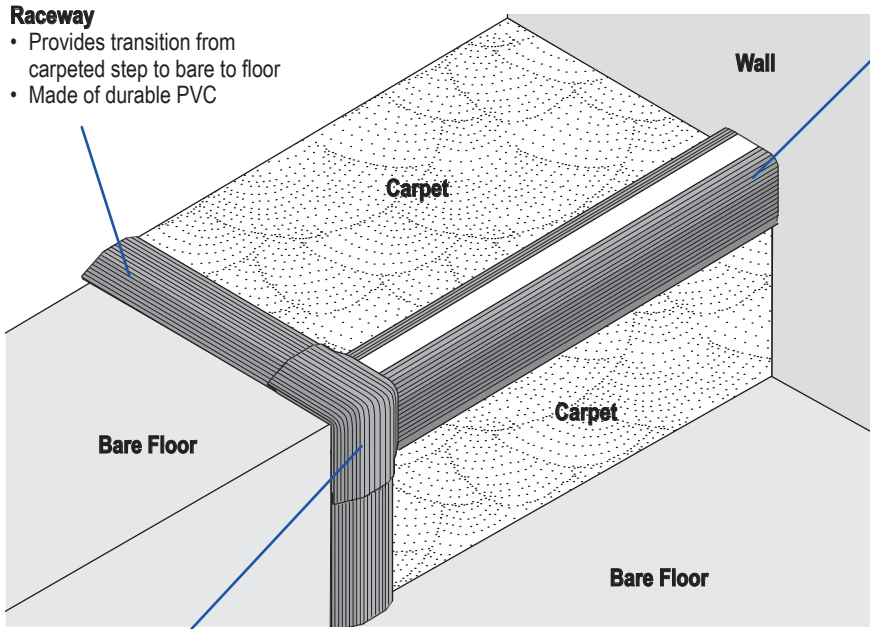


Multiple runs may be connected together, so long as total footage of runs does not exceed 150ft per 5A/60W output (based on 12" LED spacing)

GEMINI 4000 lightstrip uses 18 gauge red/black cable for 12VDC. (Polarity: Red - positive, Black - negative)

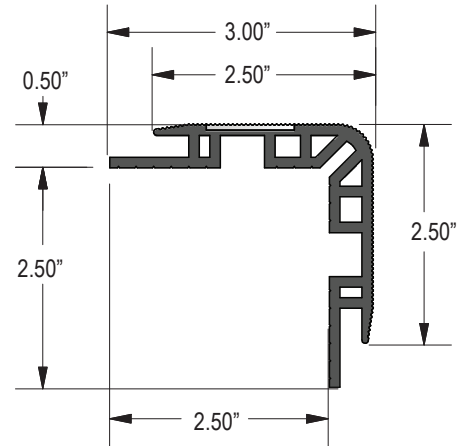
GEMINI 5000-S Striped Stair Nose

Light grey stripe on black stair nose provides added step definition when using GEMINI 4000 Wall Light to illuminate steps.



- Raceway**
- Provides transition from carpeted step to bare to floor
 - Made of durable PVC

- GEMINI 5000-S**
- Soft vinyl stair nose with light grey stripe
 - Withstands extreme loads and heavy foot traffic
 - Conforms to gradual curves and irregularities in flooring
 - ADA compliant design (No trip hazard)



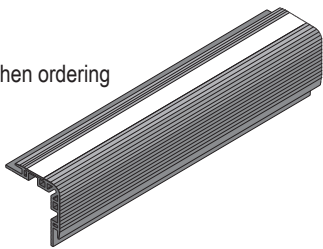
- End cap**
- Finishes corner where stair nose meets raceway, providing seamless appearance with matching ribs and contours
 - Includes pins that mate with stairnose, preventing displacement
 - Made of durable PVC

How to Specify GEMINI 5000-S Series

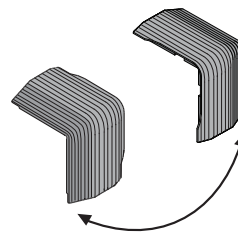
GEMINI 5000-S Striped Stair Nose

GEM - 5000-S

Specify length when ordering

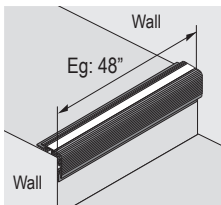
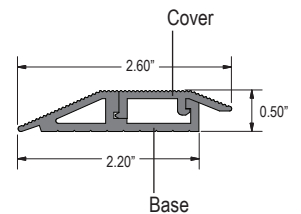


End caps
GEM - 5SE

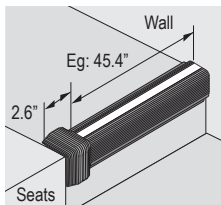


Universal design: Fits on either left or right side of stairnose

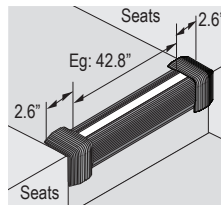
Raceway
GEM - 5SR (Black base, black cover)
GEM - 5SC (Black base, grey cover)



For steps that are between two walls; measure width of each step.



For steps with wall on one side and using one end cap on the other; measure width of step, and subtract 2.6" for the end cap.



For steps between seats, using end caps on both sides, measure width of step and subtract 5.2" for the two end caps.