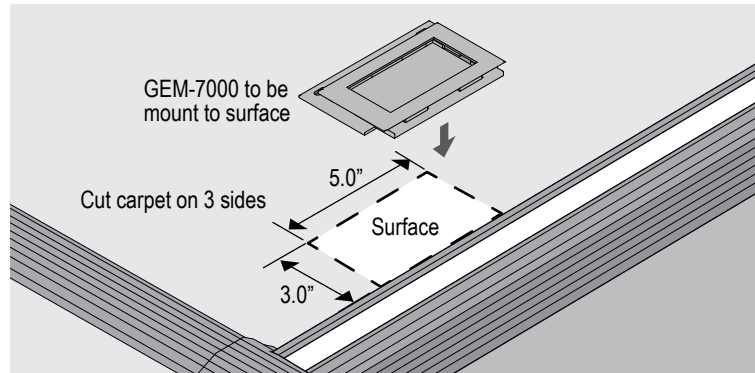


Installation Instructions

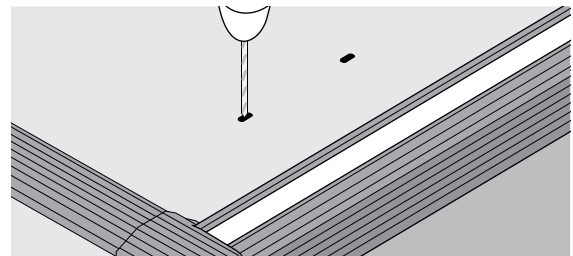
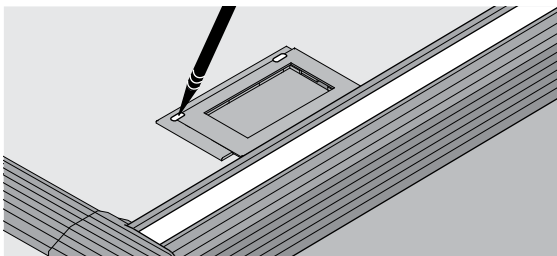
The following instructions are general guidelines. Installation should be performed by a qualified electrician in accordance with the National Electrical Code and any applicable local codes. Read through the entire instructions before beginning installation. Contact Celestial Lighting for further assistance.

GEM-7000 Row Indicator is a versatile illuminated indicator that can be placed in numerous applications. It can be mounted on the carpeted floor or against a carpeted wall.

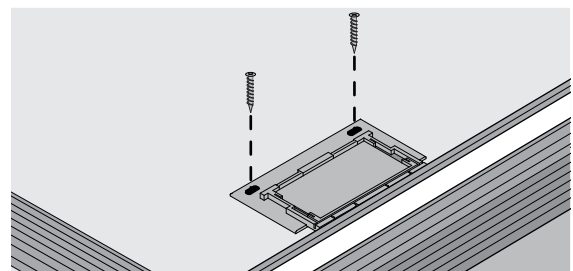
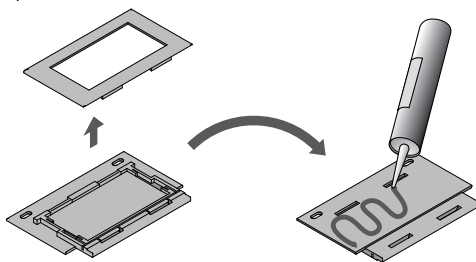
- Step 1** Determine where the GEM-7000 housing will be installed. The GEM-7000 must be mounted directly to the surface with three sides tucked with carpet and one side that mates with any GEMINI step light system. This side is where the power will be feed to the LEDs inside. Carpet will need to be cut out where the GEM-7000 will be installed.



- Step 2** Place the GEM-7000 housing against the surface to be installed. Use the two holes on the base to mark the locations of the mounting screws. Remove the GEM-7000 housing and drill holes to the two marked spots. Use 5/32" concrete drill bit for concrete surfaces. Clean surface and remove any dust or debris.



- Step 3** Remove the cover of the GEM-7000 housing and apply adhesive to the underside of the base. Place the GEM-7000 base back to the surface, aligning the two holes on the surface with the holes on the base and secure with tapcon screws provided.



- Step 4** Clean the inside of the GEM-7000 housing and remove any dust or debris. Insert acrylic letter and LED. There are two grooves that the LED can be installed. Use the side closest to the feed point and run the wires out of the housing. Snap on GEM-7000 cover onto the base and make connection from the LED to the wire harness inside the raceway.

