

ORION F Series

Features

- Low profile fluorescent striplight for standard and high output T5 lamps, with exceptional lumen-per-watt ratio, long rated life and superior color rendering
- Durable fixture construction, with ballasts and components from industry-leading sources
- Pre-wired and fully assembled for quick and easy installation
- UL Listed for Dry Location, surface mount
- Ideal for direct or indirect applications, including cove, wall wash, display, task and backlight

Lamp Information

- Standard T5 lamps: 14W, 21W, 28W
- High output T5 lamps: 24W, 39W, 54W
- Up to 103 lumens per watt
- Color Rendering Index: 85
- Color temperatures include: 3000K, 3500K, 4100K
- 20,000 hours+ average rated life
- Lamps not included. See chart for details.

Fixture Construction

- 1.57 inches wide, 2.34 inches high
- 2ft, 3ft and 4ft nominal fixture lengths
- Made of heavy duty 20-gauge steel, electro-galvanized to resist corrosion, formed and welded together to ensure structural integrity
- High-reflectance white powder coat finish, applied post-production
- Standard trade-size conduit knockouts (7/8" dia.) on ends, sides and bottom of housing
- Side knockouts allow fixtures to be staggered with 6" overlap
- UL listed lampholders, rated for up to 600V, rotate and lock lamps into position
- Fixtures ship pre-wired and pre-assembled, with pre-opened mounting holes
- 18 gauge lead wires provided (hot, neutral and ground)
- Optional reflectors available with specular finish

Standard Ballast

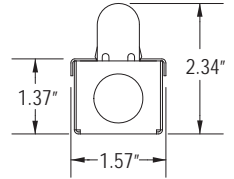
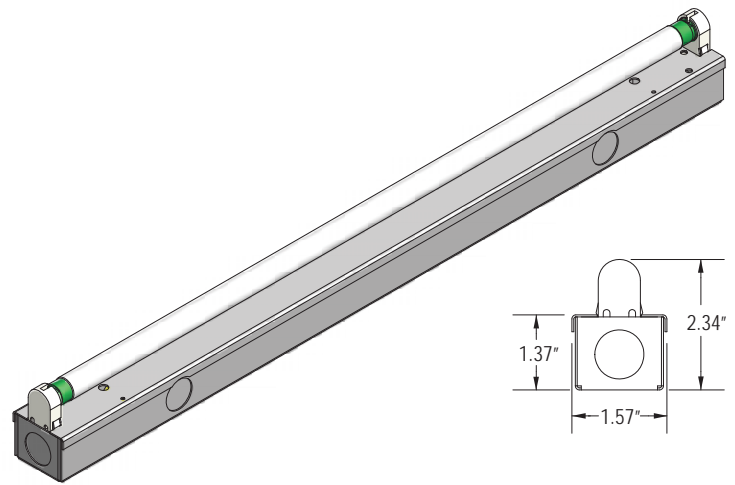
- Energy efficient, high power factor electronic ballast
- Flicker-free illumination
- Class A sound rating
- 120V or 277V
- 0°F minimum starting temperature, 158°F maximum case temperature
- UL Listed, Class P ballast with inherent overcurrent protection

Optional Dimming Ballasts

- Available with Lutron Eco-System (10% dimming) or Lutron Hi-lume (1% dimming) ballasts, for 3-wire controls
- Consult Lutron for specification details
- Celestial Lighting is a Lutron factory trained ballast installer

Optional Emergency Ballast

- Bodine emergency ballast available for 4ft fixture
- Emergency ballast activates once standard or dimming ballast shuts off during power outage
- Minimum 90 minute operation, with 24 hour recharge time
- 32°F to 122°F ambient temperature rating



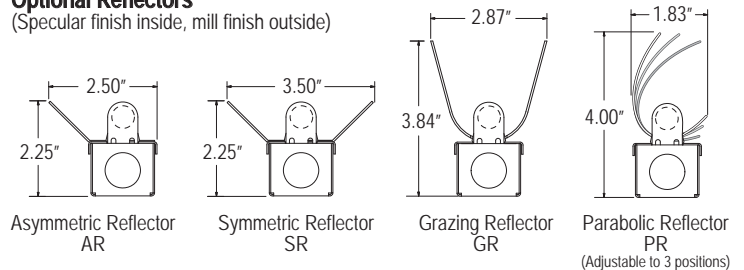
Lamp Selection

Lamp Type	Watts	Length	Lumens	Lumens/Watt	Color Temp.	CRI	Rated Hours
T5 Standard	14W	22"	1,350	96	3000, 3500, 4100	85	20,000+
	21W	34"	2,100	100	3000, 3500, 4100	85	20,000+
	28W	46"	2,900	103	3000, 3500, 4100	85	20,000+
T5 High Output	24W	22"	2,000	83	3000, 3500, 4100	85	20,000+
	39W	34"	3,500	89	3000, 3500, 4100	85	20,000+
	54W	46"	5,000	92	3000, 3500, 4100	85	20,000+

Selected information based on specifications for T5 lamps available from GE, Philips and Osram Sylvania. Consult lamp manufacturers for full selection and current details. Lamps not included with fixture.

Optional Reflectors

(Specular finish inside, mill finish outside)



How to Specify ORION F Series

ORI - F -	<input type="text"/>	-	<input type="text"/>	-	<input type="text"/>	-	<input type="text"/>
	Lamp Wattage / Fixture Length		Ballast		Volts		Optional Reflector
	14 14W T5 (22.50")		ELE Electronic non-dimming		120 120 Volts		AR Asymmetric reflector
	21 21W T5 (34.25")		ESD Lutron Eco-System 10% dimming		277 277 Volts		SR Symmetric reflector
	28 28W T5 (46.00")		HLD Lutron Hi-Lume 1% dimming				GR Grazing reflector
	24 24W High output T5 (22.50")		Add "EM" to include Bodine emergency ballast (Available for 28W & 54W fixtures)				PR Parabolic reflector
	39 39W High output T5 (34.25")						Leave blank for no reflector
	54 54W High output T5 (46.00")						
Example							
ORI - F -	28	-	ELE - EM	-	277	-	PR