

PEGASUS F Series

Features

- Ultra-low profile fluorescent striplight for T5 lamps, with exceptional lumen-per-watt ratio, long rated life and superior color rendering
- Durable fixture construction, with ballasts and components from industry-leading sources
- Pre-wired and fully assembled for quick and easy installation
- UL Listed for Dry Location, surface mount
- Ideal for direct or indirect applications, including cove, wall wash, display, task and backlight

Lamp Information

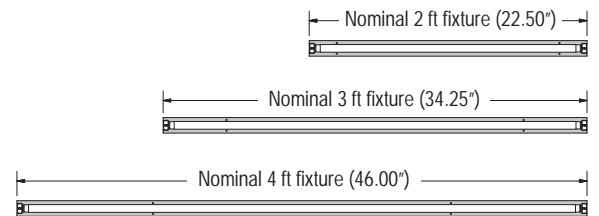
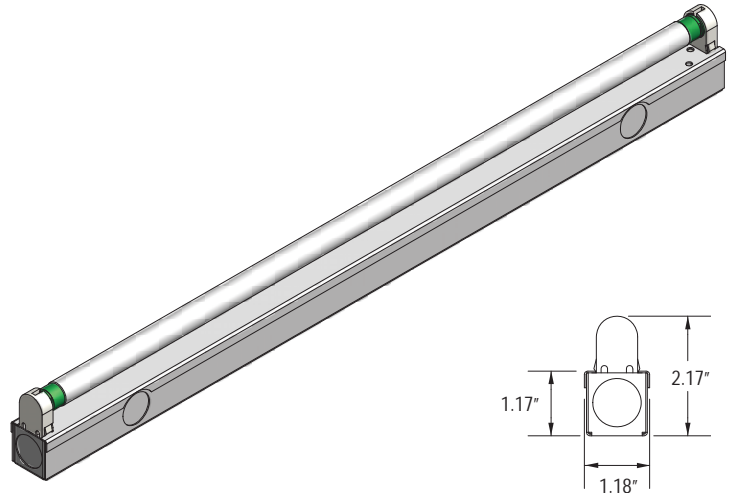
- For 14W, 21W, 28W standard T5 lamps
- Up to 103 lumens per watt
- Color Rendering Index: 85
- Color temperatures include: 3000K, 3500K, 4100K
- 20,000 hours+ average rated life
- Lamps not included. See chart for details.

Fixture Construction

- 1.18" inches wide, 2.17" inches high
- 2ft, 3ft and 4ft nominal fixture lengths
- Made of heavy duty 20-gauge steel, electro-galvanized to resist corrosion, formed and welded together to ensure structural integrity
- High-reflectance white powder coat finish, applied post-production
- Standard trade-size conduit knockouts (7/8" dia.) on ends, sides and bottom of housing
- Side knockouts allow fixtures to be staggered with 6-inch overlap
- UL listed lampholders, rated for up to 600V, rotate and lock lamps into position
- Fixtures ship pre-wired and pre-assembled, with pre-opened mounting holes
- 18 gauge lead wires provided (hot, neutral and ground)

Ballast Specifications

- Energy efficient, high power factor electronic ballast
- Flicker-free illumination
- Class A sound rating
- 120V or 277V
- -20°F minimum starting temperature, 158°F maximum case temperature
- UL Listed, Class P ballast with inherent overcurrent protection



Lamp Selection

Lamp Type	Watts	Length	Lumens	Lumens/Watt	Color Temp.	CRI	Rated Hours
T5 Standard	14W	22"	1,350	96	3000, 3500, 4100	85	20,000+
	21W	34"	2,100	100	3000, 3500, 4100	85	20,000+
	28W	46"	2,900	103	3000, 3500, 4100	85	20,000+

Selected information based on specifications for T5 lamps available from GE, Philips and Osram Sylvania. Consult lamp manufacturers for full selection and current details. Lamps not included with fixture.

How to Specify PEGASUS F Series

PEG - F -		-	
	Lamp Wattage / Fixture Length		Volts
	14 14W T5 (22.50")		120 120 Volts
	21 21W T5 (34.25")		277 277 Volts
	28 28W T5 (46.00")		
Example			
PEG - F -	28	-	277