

PISCES TF Series

Features

- Outdoor fluorescent striplight for standard and high output T5 lamps, with exceptional lumen-per-watt ratio, long rated life and superior color rendering
- Durable all-weather fixture construction, with ballasts and components from industry-leading sources
- Pre-wired and fully assembled for quick and easy installation
- ETL Listed for Wet Location, surface mount
Fixture must be installed in area with adequate drainage and no standing water
- Ideal for direct or indirect applications, including outdoor coves, wall wash, task and backlighting

Lamp Information

- Standard T5 lamps: 14W, 21W, 28W
- High output T5 lamps: 24W, 39W, 54W
- Up to 103 lumens per watt
- Color Rendering Index: 85
- Color temperatures include: 3000K, 3500K, 4100K
- 20,000 hours+ average rated life
- Lamp not included. See chart for details.

Fixture Construction

- 3.15 inches wide, 4.25 inches high
- 2ft, 3ft and 4ft nominal fixture lengths
- Made of extruded aluminum using high-grade alloy
- Standard finishes include anodized satin and high-reflectance white powder coat (Consult factory for custom finishes)
- UL listed outdoor-rated lampholders contain gaskets preventing water from penetrating contacts
- Ballast is protected in weatherproof enclosure within fixture
- Fixtures ship pre-wired and pre-assembled
- Standard trade-size conduit knockouts (7/8" dia.) on ends; conduit holes may also be opened on sides or bottom of fixture using drill bit
- 18 gauge lead wires provided (hot, neutral and ground)
- Optional reflectors available (white finish)

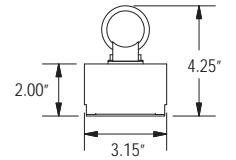
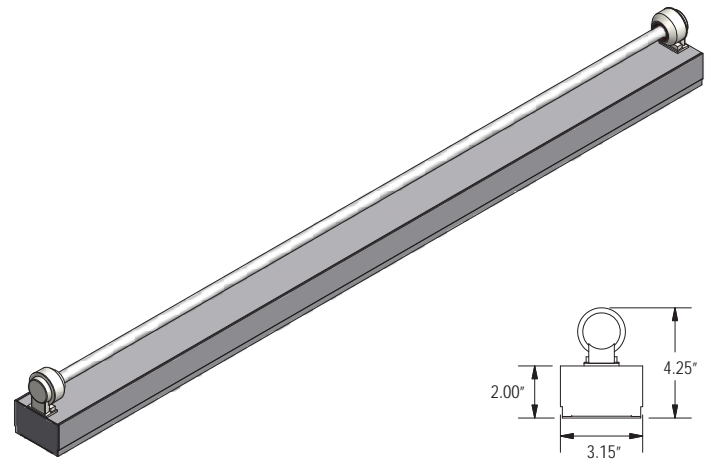
Standard Ballast

- Energy efficient, high power factor electronic ballast
- Flicker-free illumination
- Class A sound rating
- 120V or 277V
- 0°F minimum starting temperature, 158°F maximum case temperature
- UL Listed, Class P ballast with inherent overcurrent protection

Optional Dimming Ballasts

- Available with Lutron Eco-System (10% dimming) or Lutron Hi-lume (1% dimming) ballasts, for 3-wire controls
- Consult Lutron for specification details
- Celestial Lighting is a Lutron factory trained ballast installer

Consult factory for emergency ballast option



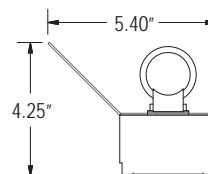
This fixture is listed for wet location. However, fixture must not be submerged or be in standing water. Water entering into the main fixture housing is anticipated. The ballast enclosure inside as well as pre-connected wires are sealed against moisture. During installation or maintenance, wire connections must be sealed against moisture using silicone, water proof connectors, or other weather proof methods.

Lamp Selection

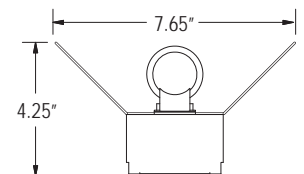
Lamp type	Watts	Length	Lumens	Lumens/Watt	Color Temp.	CRI	Rated Hours
T5 Standard	14W	22"	1,350	96	3000, 3500, 4100	85	20,000+
	21W	34"	2,100	100	3000, 3500, 4100	85	20,000+
	28W	46"	2,900	103	3000, 3500, 4100	85	20,000+
T5 High Output	24W	22"	2,000	83	3000, 3500, 4100	85	20,000+
	39W	34"	3,500	89	3000, 3500, 4100	85	20,000+
	54W	46"	5,000	92	3000, 3500, 4100	85	20,000+

Selected information based on specifications for T5 lamps available from GE, Philips and Osram Sylvania. Consult lamp manufacturers for full selection and details. Lamps not included with fixture.

Optional Reflectors



Asymmetric Reflector
AR



Symmetric Reflector
SR

How to Specify PISCES TF Series

PSC - TF -					
	Lamp Wattage / Fixture Length	Ballast	Volts	Fixture Finish	Optional Reflector
	14 14W T5 (23.25")	ELE Electronic non-dimming	120 120 Volts	SAT Anodized satin	AR Asymmetric reflector (white)
	21 21W T5 (35.00")	ESD Lutron Eco-System 10% dimming	277 277 Volts	WHT Powder coat white	SR Symmetric reflector (white)
	28 28W T5 (46.75")	HLD Lutron Hi-Lume 1% dimming			Leave blank for no reflector.
	24 24W High output T5 (23.25")				Consult factory for other finishes.
	39 39W High output T5 (35.00")				
	54 54W High output T5 (46.75")				
Example					
PSC - TF -	28	ELE	277	SAT	SR