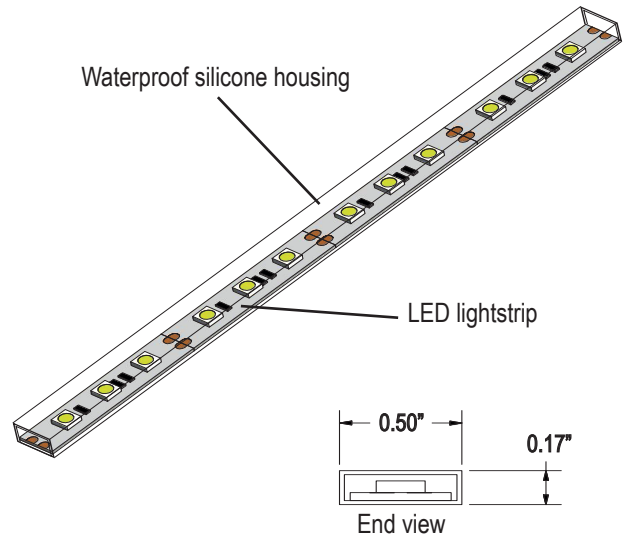
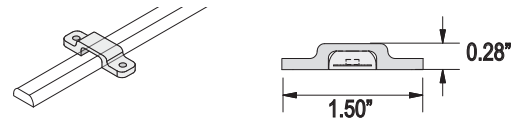


SERPENS FX Series

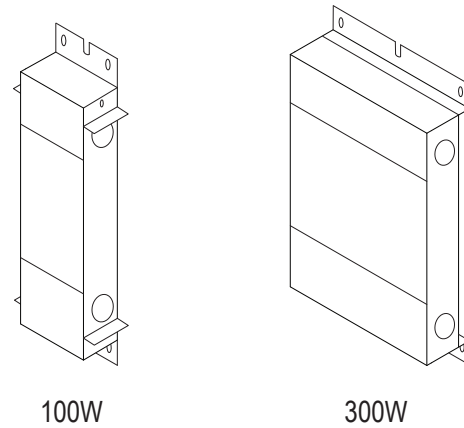
- 18 LEDs per foot on low profile tape with printed circuitry
- LEDs available in 2700K, 3000K, 3500K and 4000K white LEDs
- 120° viewing angle for broad light distribution
- Consumes only 4.0W per foot
- Produces up to 425 lumens per foot.
- Runs on 24V DC
- Maximum run length is 20ft
- Field-cutttable every 6 LEDs (See Installation Instructions)
- Operating temperature is -20°C to 50°C
- Mount with included mounting clips (2 per ft included)
- Various channels and lenses also available
- Use with accompanying UL Class 2 power supply
- UL Listed for wet location
- 50,000 average rated life at 70% lumen maintenance
- IP68 rated (Waterproof / Dustproof)
- 90CRI available. (Consult factory)


Ordering codes

Item Number	Description
SER-FX-W27	24VDC LED Tapelight 2700K White
SER-FX-W30	24VDC LED Tapelight 3000K White
SER-FX-W35	24VDC LED Tapelight 3500K White
SER-FX-W40	24VDC LED Tapelight 4000K White

Mounting Clip
 SER-MC (2 per foot included)

Standard Dimmable Power Supplies Serpens FX Series:

- Input voltage: 120VAC or 277VAC
- Input frequency: 50 ~ 60 Hertz
- Output voltage: 24VDC
- Output current: 4 Amps per output circuit
- Maximum output power: 100W or 300W
- Overload protection: Auto Reset
- Enclosure: Damp location enclosure with conduit knockouts
- Mounting: Wall mount
- Operating environment: -20 to 50 degrees Celsius
- Certification: UL Class 2 Power Supply (Damp Location)


Maximum Load

- Maximum 20 ft per 4A output circuit
- Do not connect more than 20 ft per 4A circuit

Dimming

- Compatible with most standard Electronic Low Voltage Dimmers
- Wire dimmer to primary side of power supply
- Requires minimum 5 ft per 4A output for effective dimming
- Recommended dimmers: Lutron Diva Series DVSELV-300P-SW, DVELV-300P-WH (120VAC, 300W, single pole)

Must be mounted in an accessible location with sufficient ventilation and must not be submerged.

Ordering codes

Item Number	Description	H x W x D (in)	Weight
SER-FX-120-100	120VAC TO 24VDC, 100W, 4A, Feeds one 20ft runs	13.875" x 2.625" x 1.3125"	2lbs
SER-FX-120-300	120VAC TO 24VDC, 300W, 3 x 4A, Feeds three 20ft runs	13.875" x 6.125" x 1.875"	5lbs
SER-FX-277-100	277VAC TO 24VDC, 100W, 4A, Feeds one 20ft run	13.875" x 2.625" x 1.3125"	2lbs
SER-FX-277-300	277VAC TO 24VDC, 300W, 3 x 4A, Feeds three 20ft runs	13.875" x 6.125" x 1.875"	5lbs

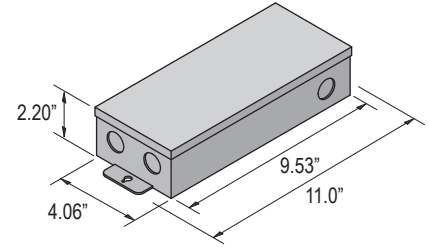
Power Supply For Dimming Applications 0-10V:

- Input: 120-277VAC, 50/60Hz
- Output: 24VDC
- Maximum output current: 4.0A
- Maximum output power: 100W (Feeds one 20ft run)
- Overload Protection, Short Circuit, Thermal Protection
- Operating temperature: -40° to 60° Celsius
- Certification: UL Listed for Outdoor Installation

Ordering codes

DD-010-24	100W, 120-277VAC to 24VDC for 0-10V dimming*	3lbs
-----------	--	------

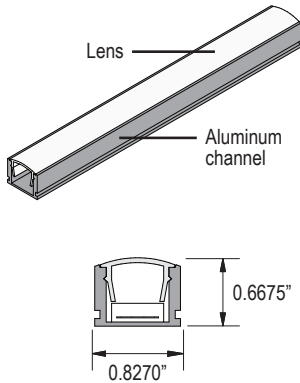
* Recommended dimmer: Lutron Nova Series Part No. NTSTV-DV, Ballast or LED Driver Control



Must be mounted in an accessible location with sufficient ventilation and must not be submerged.

Channels & Lenses: Suitable for Wet or Dry/Damp Location

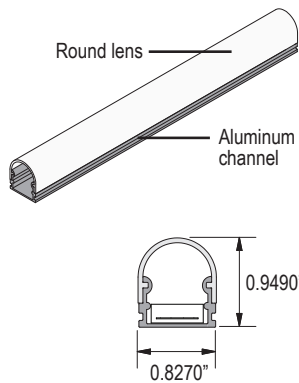
Contractor responsible for using appropriate screws to mount channel to surface.



Aluminum Channel & Lens
SER-SCL

Must use flat head screws to mount aluminum channel to surface

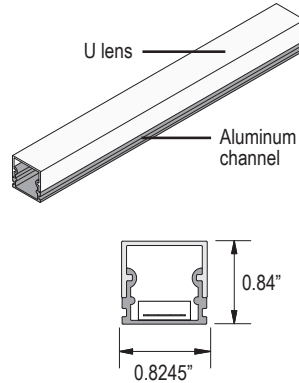
End Cap (1 Pair)*
SER-SCL-EC



Aluminum Channel & Round Lens
SER-SCR

Must use flat head screws to mount aluminum channel to surface

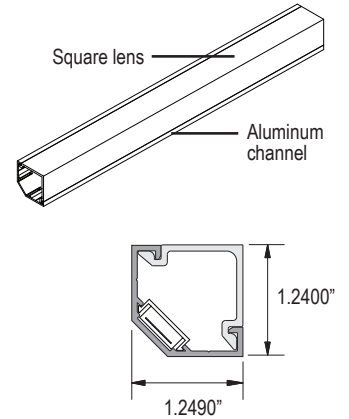
End Cap (1 Pair)*
SER-SCR-EC



Aluminum Channel & U Lens
SER-SCU

Must use flat head screws to mount aluminum channel to surface

End Cap (1 Pair)*
SER-SCU-EC



Aluminum Corner Channel & Outdoor Lens
SER-CCO

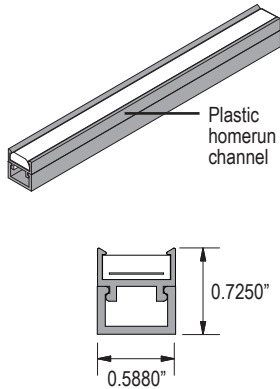
Must use outdoor rated screws to mount aluminum channel to surface

End Cap (1 Pair)*
SER-CCO-EC

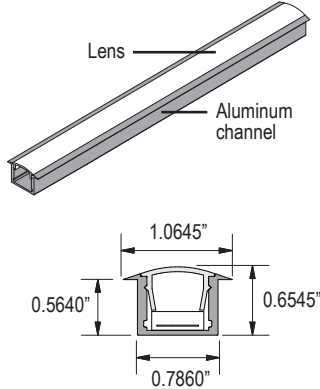
*End Caps: Order one pair per feed point or one pair per section when connecting multiple sections together.

Channels & Lenses: Suitable for Dry / Damp Location Only

Contractor responsible for using appropriate screws to mount channel to surface.



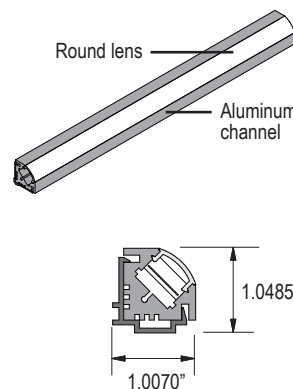
Plastic Homerun Channel
SER-PHC



Aluminum Recessed Channel & Lens
SER-RSC

Must use flat head screws to mount aluminum channel to surface

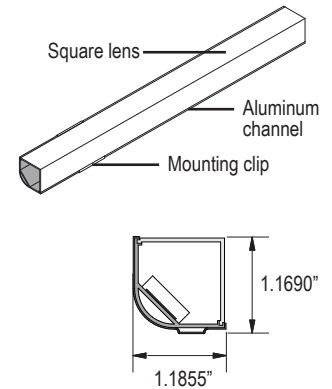
End Cap (1 Pair)*
SER-RSC-EC



Aluminum Corner Channel & Round Lens
SER-CCR

Includes plastic mounting channel

End Cap (1 Pair)*
SER-CCR-EC



Aluminum Corner Channel & Square Lens
SER-CCS

Includes 1 mounting clip/ft

End Cap (1 Pair)*
SER-CCS-EC

*End Caps: Order one pair per feed point or one pair per section when connecting multiple sections together.