

VIRGO BXOX 39 Series

Features

- Flexible fluorescent striplight for long compact fluorescent lamps, with exceptional lumen-per-watt ratio, long rated life and superior color rendering
- Durable fixture construction, with ballasts and components from industry-leading sources
- Pre-wired and fully assembled for quick and easy installation
- UL Listed for Dry Location, surface mount
- Ideal for indirect lighting in curved spaces
- Lamps overlap to create shadow-free light at close distances from illuminated surface

Lamp Information

- For 39W/36W compact fluorescent lamp (2G11 base 4-pin twin tube)
- Up to 80 lumens per watt
- Color Rendering Index: 82
- Color temperatures include: 3000K, 3500K, 4100K
- Up to 20,000 hours average rated life
- Lamps not included. See chart for details.

Fixture Construction

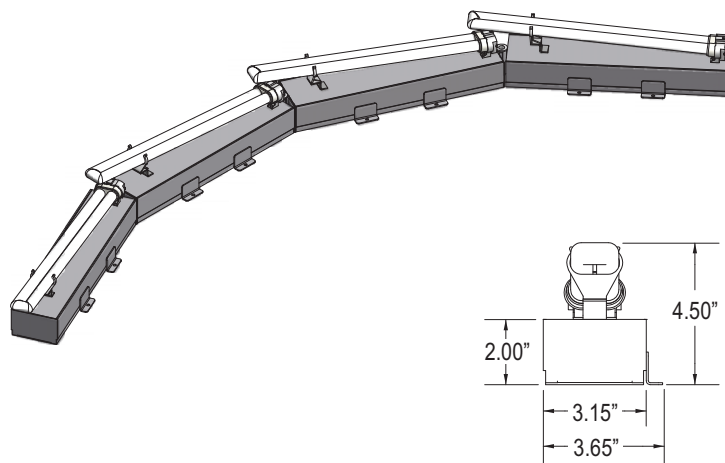
- 3.65 inches wide, 4.50 inches high
- Made of extruded aluminum using high-grade alloy
- Standard finishes include mill finish, anodized satin and high-reflectance white powder coat
- Flexible joiners between lamp modules allow fixture to curve along radius
- Lamp spacing is 15" on center
- Available in 60" fixture (4 lamps), 30" fixture (2 lamps) and 15" fixture (1 lamp)
- Joiners allow fixtures to be linked together for continuous row
- UL listed lampholders, rated for up to 600V, lock lamps into position
- Pre-attached mounting tabs simplify installation
- Fixtures ship pre-wired and pre-assembled
- 14 gauge lead wires provided (hot, neutral and ground)

Standard Ballast

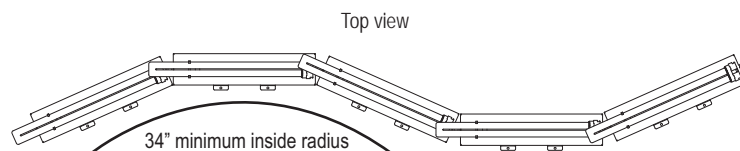
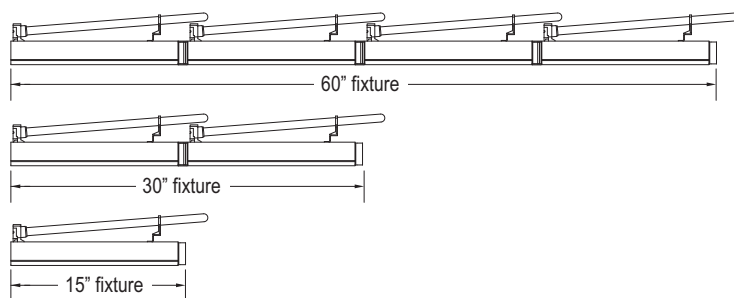
- Energy efficient, high power factor electronic ballast
- Flicker-free illumination
- Class A sound rating
- 120V or 277V
- 0°F minimum starting temperature, 158°F maximum case temperature
- UL Listed, Class P ballast with inherent overcurrent protection

Optional Dimming Ballasts

- Available with Lutron Compact SE (5% dimming) ballast, for 3-wire controls
- Consult Lutron for specification details
- Celestial Lighting is a Lutron factory trained ballast installer



Fixture Lengths



Recommended Lamps

Brand	Watts	Length	Base	Lumens	Lumens / Watt	Color Temp.	CRI	Rated Hrs.
GE High Lumen Biax	39W	16.5	2G11	2850	73	3000, 3500, 4100	82	12,000
Philips PL-L	36W	16.4	2G11	2900	80	3000, 3500, 4100	82	20,000
Osram Sylvania Dulux L	36W	16.6	2G11	2900	80	3000, 3500, 4100	82	12,000

Selected information based on specifications available from GE, Philips and Osram Sylvania. Consult lamp manufacturers for full selection and current details. Lamps not included with fixture.

How to Specify VIRGO BXOX 39 Series

VIR - BXOX - 39 -		-		-		-		
	Ballast		Volts		Finish		Fixture Length	
	ELE	Electronic non-dimming	120	120 Volts	NAL	Natural aluminum (mill finish)	60	60" long (4 lamps)
	CSE	Lutron Compact SE 5% dimming	277	277 Volts	SAT	Anodized satin	30	30" long (2 lamp)
					WHT	High reflectance white powder coat	15	15" long (1 lamp)
Example								
VIR - BXOX - 39 -	ELE		277		NAL		60	