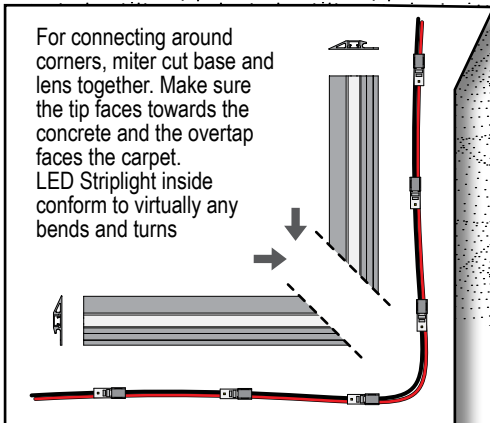
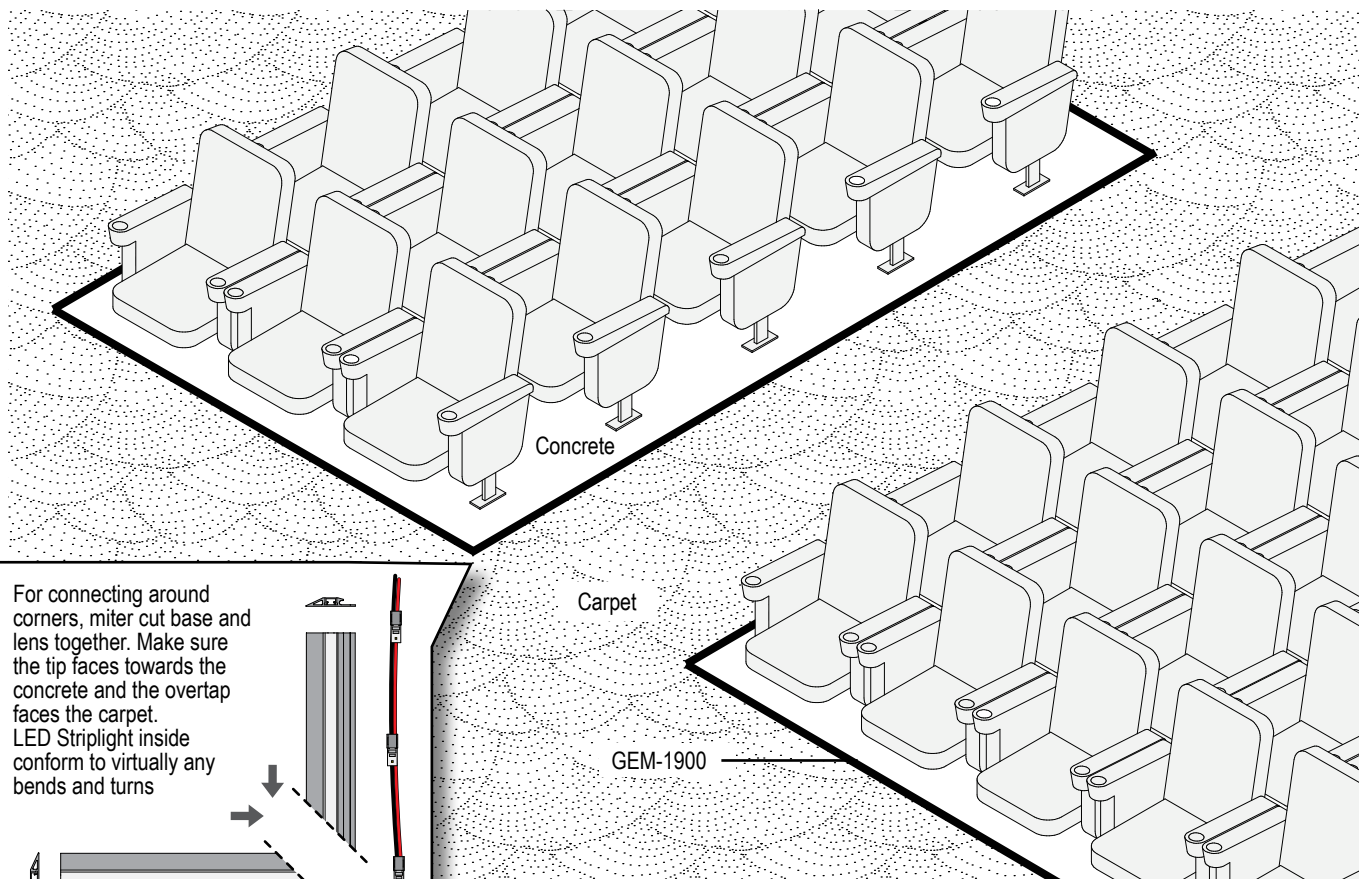


Installation Instructions

The following instructions are general guidelines. Installation should be performed by a qualified electrician in accordance with the National Electrical Code and any applicable local codes. Read through the entire instructions before beginning installation. Contact Celestial Lighting for further assistance.

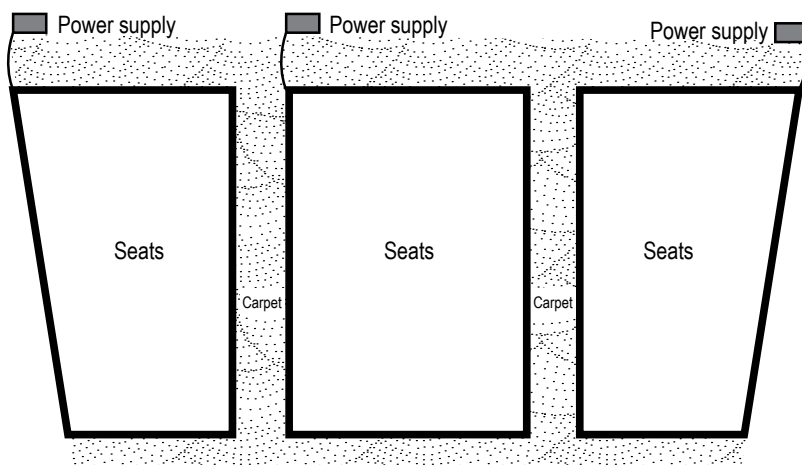
Carpet-to-Floor



Plan and layout Path light according to the location of the power supply and the max run of the LED lightstrip. Channel and lens are shipped in 5 ft. or 10 ft. sections and can be field cut according to field dimensions.

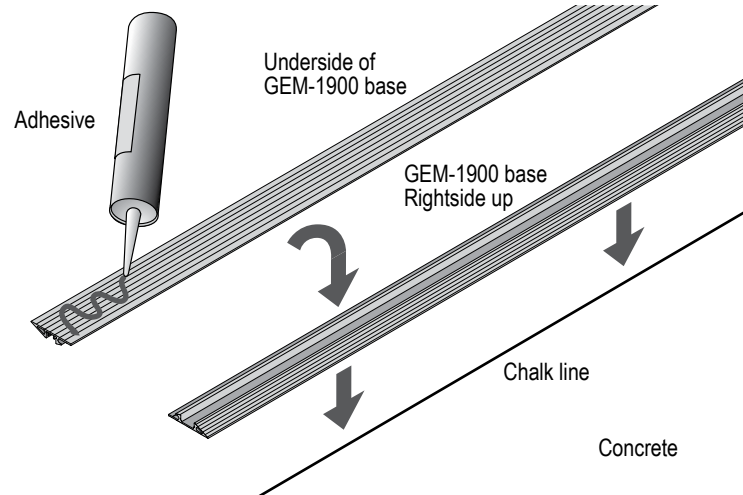
LED lightstrip are powered by 12V DC power supply. The lightstrip are shipped in rolls and are field cut to length. The maximum run are determined by the lamp spacing. See chart below for max run per 5A. (60W power supply) For runs longer than the maximum run length, a new feed must be fed separately from the power supply.

LED Lamp Spacing	6 in.	12 in.
Max. run of lightstrip	105 ft.	210 ft.

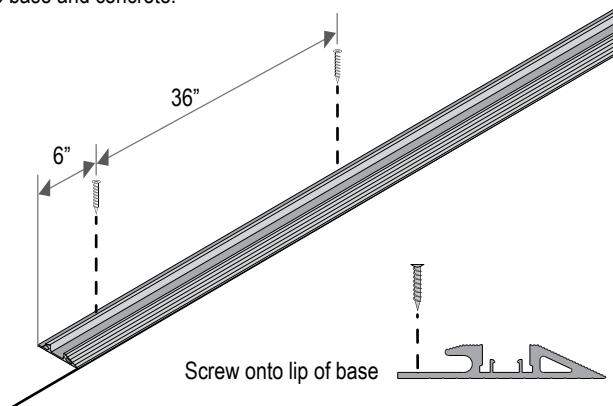


Top view of Auditorium

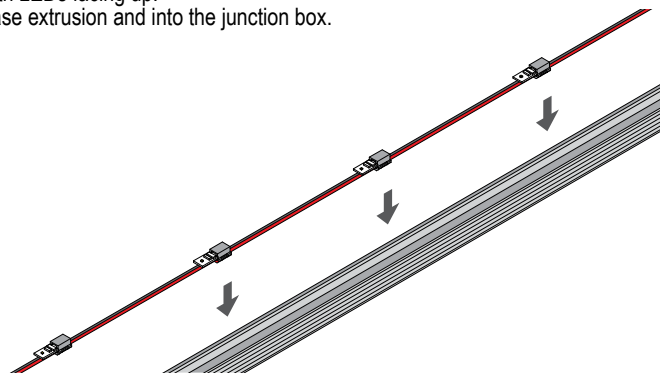
Step 1 Clean surface and draw chalk line where the Path Light will be installed. Draw the chalk line where the concrete meets the tip of the GEM-1900 Base. Apply 3/8 in. bead adhesive along the entire back side of the extrusion and apply to surface. One tube should fill 90 ft. of GEM-1900 base.



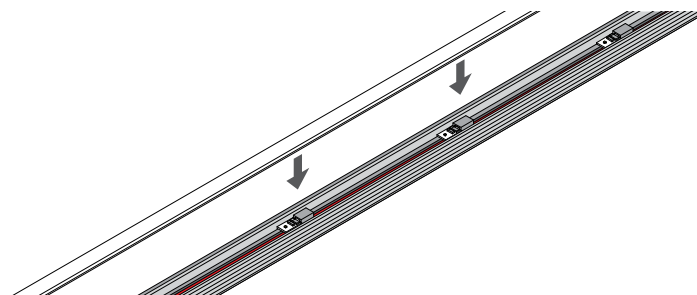
Step 2 Drill pilot holes into the lip of the base and concrete using 5/32 in. concrete drill bits. Drill 1 hole every 3 ft. Screw mount Tapcon screws (included) into base and concrete.



Step 3 Unroll and snap lightstrip into base with LEDs facing up. Install lightstrip through out all of the base extrusion and into the junction box.

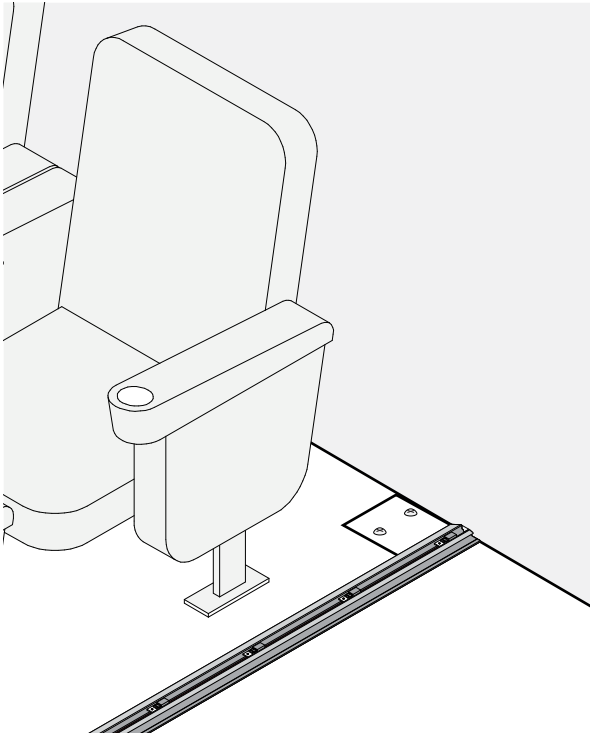


Step 4 Snap in lens into base.

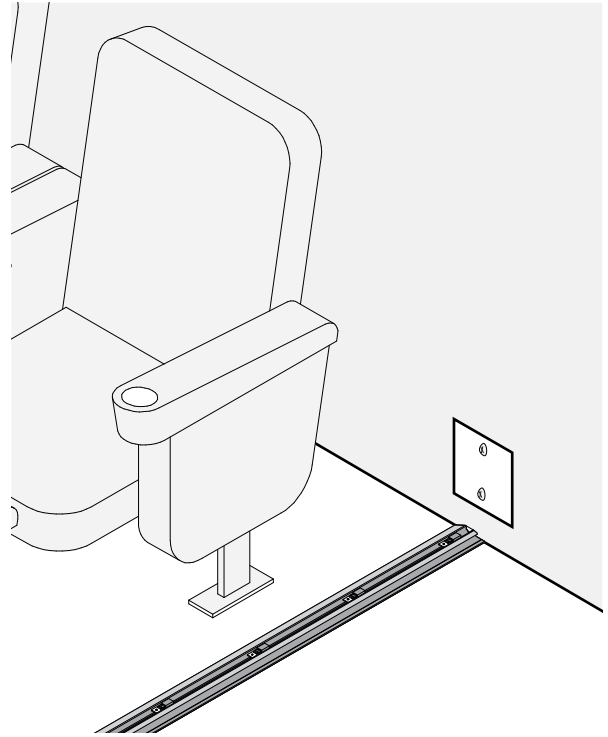


Step 5 Feed LED lightstrip to power supply.

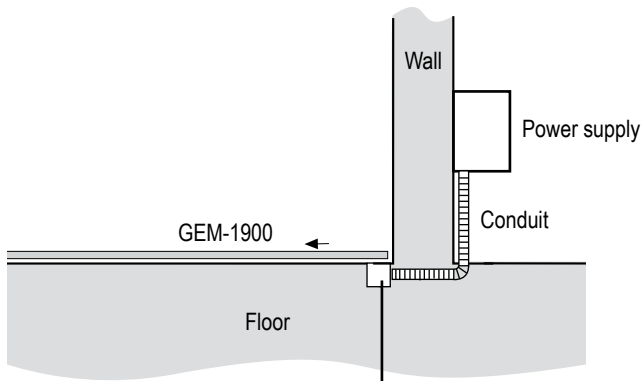
In floor junction box



In wall junction box

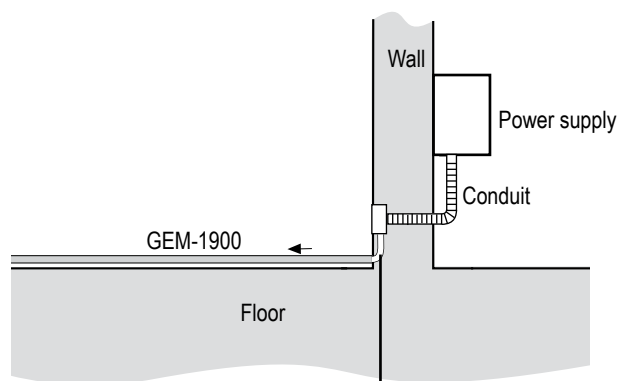


Side View



Rough-in junction box to floor.
Open hole into bottom of base.
Feed lightstrip into junction box

Slide View



Rough-in junction box flush to wall surface, 0.5" above floor.
Feed lightstrip into junction box.